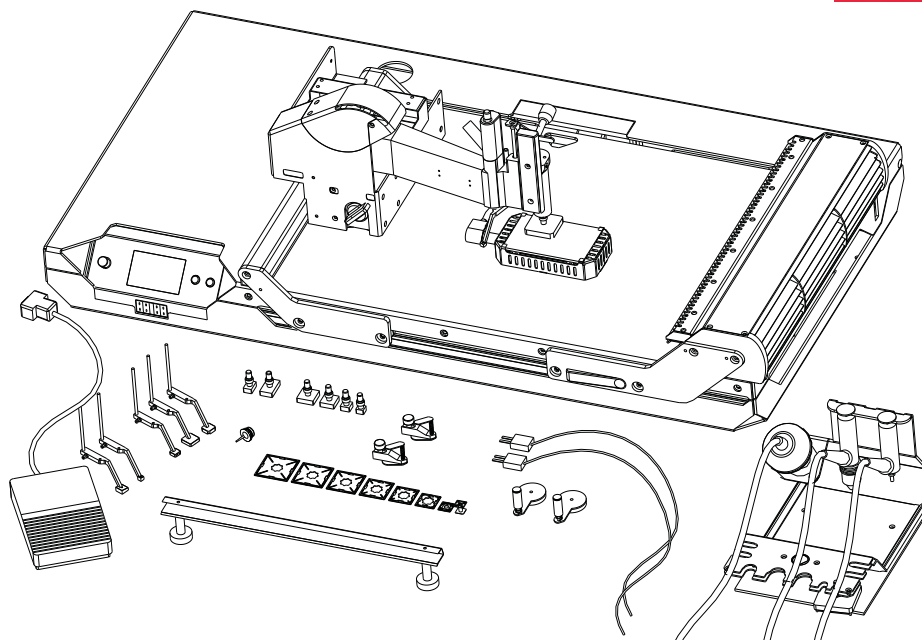


Rework Technic – EXPERT 10.6-IS


Rework Station with IR-Underheater 110W (60x80mm²) and manual SMD placement process by Auto-Star-Placer (ASP), incl. Easy Solder software package and DBL 06 control unit with six high resolution sensor inputs for thermocouples (Type K).

This system is particularly suitable for small PCBs which you find in Smartphones or PDAs with small and mid size components.

Standard Equipment (Art.No. DB00.1069)

- Tool set for dispensing, placing, residual solder removal and soldering with magazine
- Set of placement nozzles for BGA and CSP (5 pieces)
- Star Tool Set BGA (7 pieces) and CSP 12x12mm²
- Set Soldering Tools (CSP/QFN), 9mm, 11mm, 13mm, 16mm
- Set Soldering Tools (SO) 10x15mm², 15x25mm²
- Placement nozzle for manual placement of small components (0,5mm)
- Two thermo couple sensors (Type K)
- Two PCB magnet holder 40,5mm (standard)
- PCB magnet holder rail 40,5mm
- Two PCB clips to install at hand rest
- Foot switch
- Rework ABC and manual

Technical Data

System power consumption:	1000 VA
Power solder pen:	300 W, 35 l/min
Power underheater:	110 W, 2 x IR lamps
Effective heating area:	60 x 80 mm ²
Recommended PCB size max:	80 x 100 mm ²
Resolution motion system:	0,001 mm
Placement accuracy :	± 0,15 mm
Mains:	1 Phase, 230VAC, Fuse 16A
Pressurized air:	5 - 8 bar, 100l/min clean dry air
Foot print:	460 x 865 mm ²

